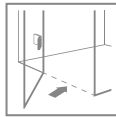
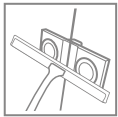
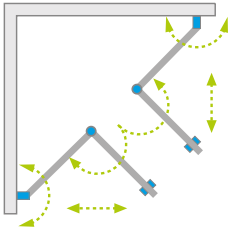


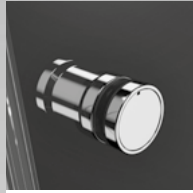
Fuenta New KDD B



Profile finish:



01 Chrome



There is a possibility to order an additional handle for bi-fold doors. Details on p. 16.



Fuenta New KDD B + shower board
The shower enclosure without a threshold strip.

Shower enclosure set consists of 2 parts: left and right. Please specify both article numbers when making an order.

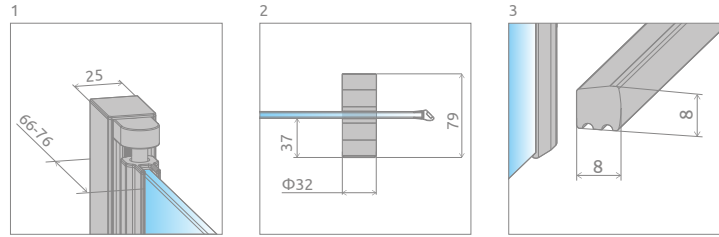
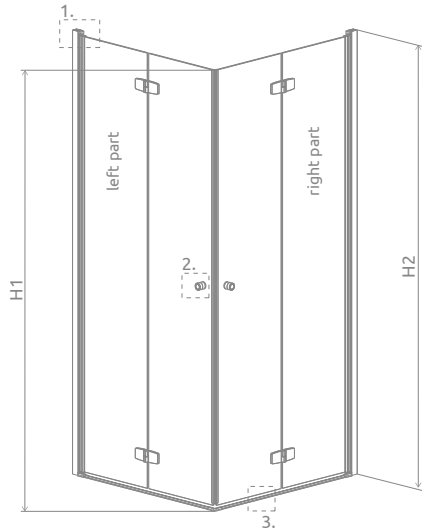
LEFT PART

Model	Tray width (A1)	Dimension to the glass panel axis (Y1)	Height (H)	TRANSPARENT GLASS
				Art. No.
KDD B 80 L	800	772-782	2020	384070-01-01L
KDD B 90 L	900	872-882	2020	384071-01-01L
KDD B 100 L	1000	972-982	2020	384072-01-01L

RIGHT PART

Model	Tray width (A2)	Dimension to the glass panel axis (Y2)	Height (H)	TRANSPARENT GLASS
				Art. No.
KDD B 80 R	800	772-782	2020	384070-01-01R
KDD B 90 R	900	872-882	2020	384071-01-01R
KDD B 100 R	1000	972-982	2020	384072-01-01R

TECHNICAL DRAWINGS



PRACTICAL HANDLES

details on p. 17



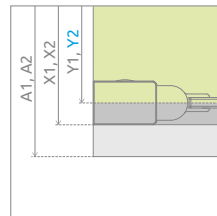
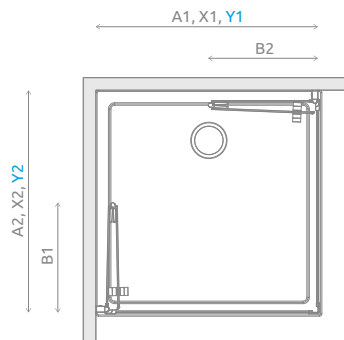
Standard

TPE elements in black



Option

TPE elements in graphite



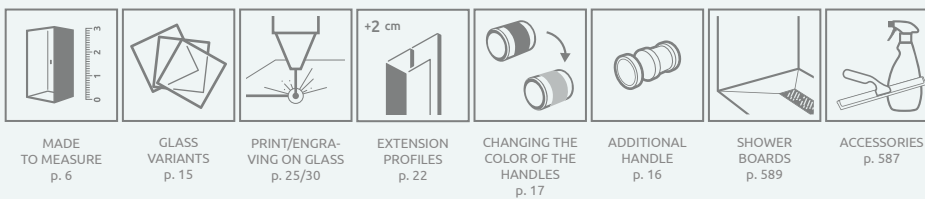
ADDITIONAL HANDLE

details on p. 16



Model	A1	A2	X1	X2	Y1	Y2	B1	B2	H1	H2
KDD B 80L×80R	800	800	785-795	785-795	772-782	772-782	389	389	2000	2020
KDD B 80L×90R	800	900	785-795	885-895	772-782	872-882	389	439	2000	2020
KDD B 80L×100R	800	1000	785-795	985-995	772-782	972-982	389	489	2000	2020
KDD B 90L×80R	900	800	885-895	785-795	872-882	772-782	439	389	2000	2020
KDD B 90L×90R	900	900	885-895	885-895	872-882	872-882	439	439	2000	2020
KDD B 90L×100R	900	1000	885-895	985-995	872-882	972-982	439	489	2000	2020
KDD B 100L×80R	1000	800	985-995	785-795	972-982	772-782	489	389	2000	2020
KDD B 100L×90R	1000	900	985-995	885-895	972-982	872-882	489	439	2000	2020
KDD B 100L×100R	1000	1000	985-995	985-995	972-982	972-982	489	489	2000	2020

ADDITIONAL OPTIONS



Extension profiles	Art. No.
Profile +2 cm	P01-137202001

NAVIGATION

