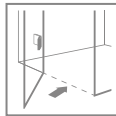
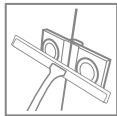
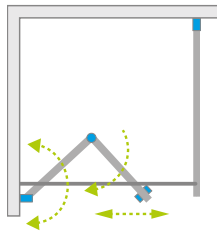


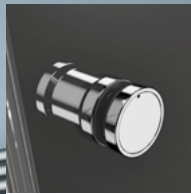
Fuenta New KDJ B



Profile finish:



01 Chrome



There is a possibility to order an additional handle for bi-fold doors. Details on p. 16.



Fuenta New KDJ + shower board

Shower enclosure set consists of 2 parts: shower door and sidewall S1. Please specify all the article numbers when making an order.

DOOR

Model	Tray width (A1)	Dimension to the glass panel axis (Y1)	Height (H)	TRANSPARENT GLASS
				Art. No.
KDJ B door 80 L	800	772-782	2020	384081-01-01L
KDJ B door 80 R	800	772-782	2020	384081-01-01R
KDJ B door 90 L	900	872-882	2020	384082-01-01L
KDJ B door 90 R	900	872-882	2020	384082-01-01R
KDJ B door 100 L	1000	972-982	2020	384083-01-01L
KDJ B door 100 R	1000	972-982	2020	384083-01-01R

SIDEWALL S1

Model	Tray width (A2)	Dimension to the glass panel axis (Y2)	Height (H)	TRANSPARENT GLASS
				Art. No.
S1 70	700	667-682	2000	384048-01-01
S1 75	750	717-732	2000	384049-01-01
S1 80	800	767-782	2000	384051-01-01
S1 90	900	867-882	2000	384050-01-01
S1 100	1000	967-982	2000	384052-01-01
S1 110	1100	1067-1082	2000	384053-01-01
S1 120	1200	1167-1182	2000	384054-01-01

PRACTICAL HANDLES

details on p. 17



Standard



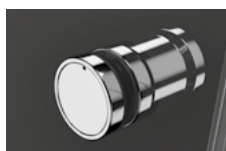
Option

TPE elements in black

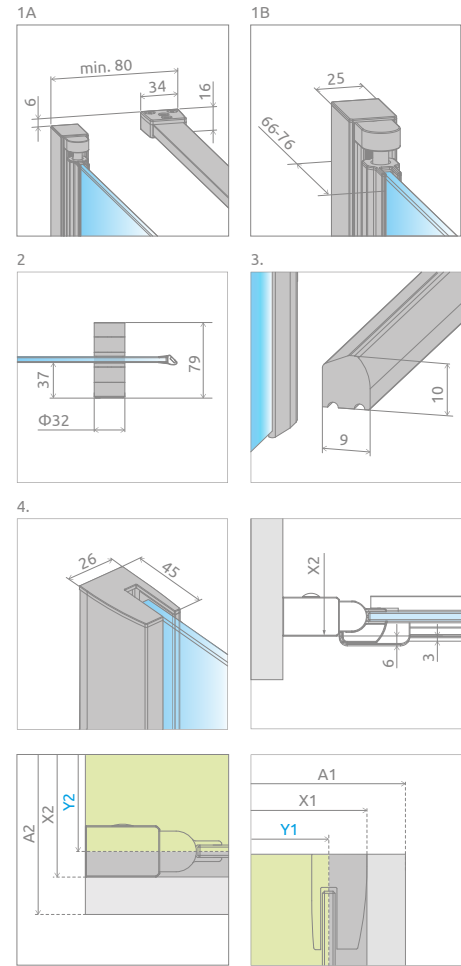
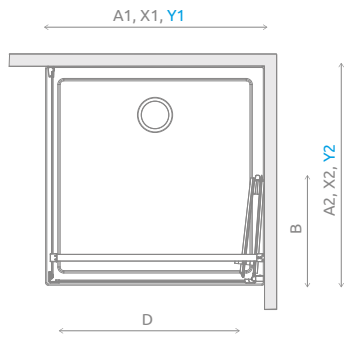
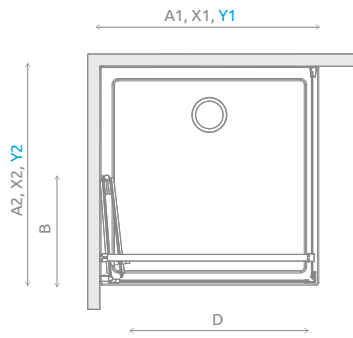
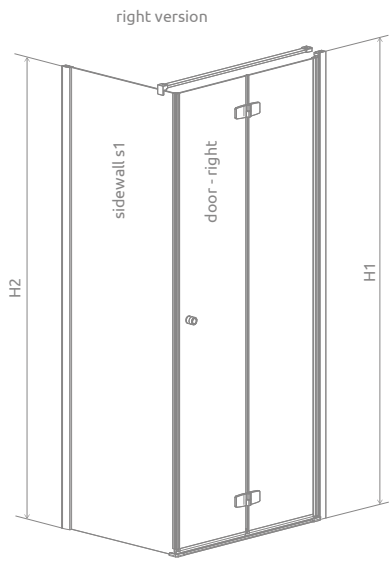
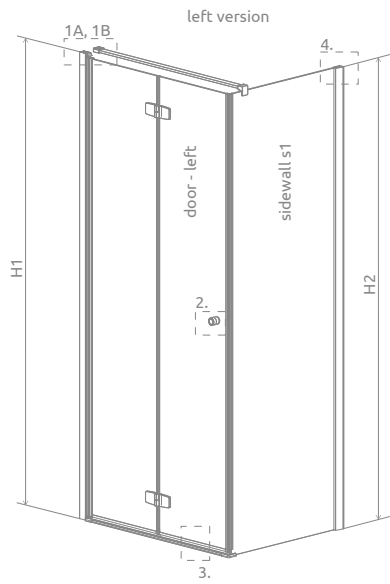
TPE elements in graphite

ADDITIONAL HANDLE

details on p. 16



TECHNICAL DRAWINGS



Door	A1	X1	Y1	B	D	H1
KDJ B 80	800	790-800	772-782	390	645	2020
KDJ B 90	900	890-900	872-882	440	745	2020
KDJ B 100	1000	990-1000	972-982	490	845	2020

Sidewall S1	A2	X2	Y2	H2
S1 70	700	680-695	667-682	2000
S1 75	750	730-745	717-732	2000
S1 80	800	780-795	767-782	2000
S1 90	900	880-895	867-882	2000
S1 100	1000	980-995	967-982	2000
S1 110	1100	1080-1095	1067-1082	2000
S1 120	1200	1180-1195	1167-1182	2000

ADDITIONAL OPTIONS

MADE TO MEASURE p. 6	GLASS VARIANTS p. 15	PRINT/ENGRAVING ON GLASS p. 25/30	EXTENSION PROFILES p. 22	CHANGING THE COLOR OF THE HANDLES p. 17	ADDITIONAL HANDLE p. 16	TOWEL HANGER p. 18	SHOWER BOARDS p. 589	ACCESSORIES p. 587

Extension profiles	Art. No.
Profile +2 cm for sidewall S1 only	P01-154200001
Profile +4 cm for sidewall S1 only	P01-155200001
Profile +2 cm – it can be mounted only on the side of a profile hinge	P01-137202001

NAVIGATION

