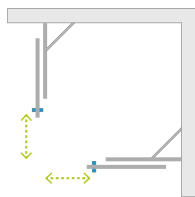


Furo KDD

The product in other colour variants can be found: Black on page 52, Gold on page 37.



Profile finish:



01 Chrome 54 Black 09 Gold



Furo KDD + Teos C Cemento



Shower enclosure set consists of 2 parts: left and right. Please specify both article numbers when making an order.

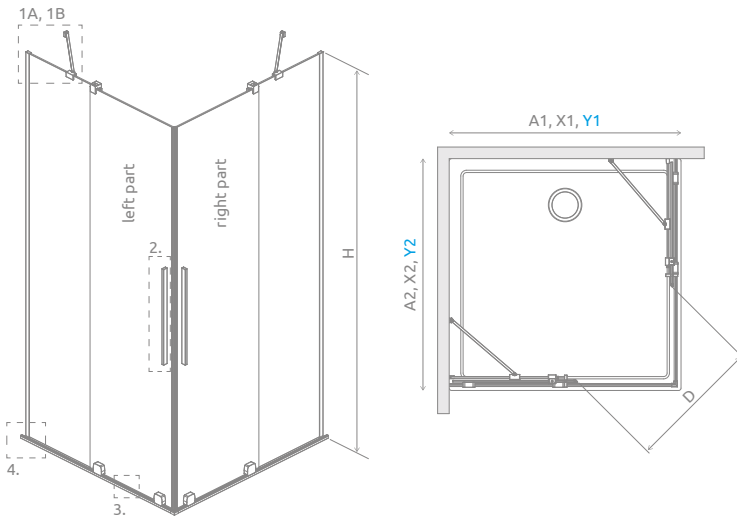
LEFT PART

Model	TRANSPARENT GLASS		
	profile finish CHROME Art. No.	profile finish BLACK Art. No.	profile finish GOLD Art. No.
KDD 80 L	10105080-01-01L	10105080-54-01L	10105080-09-01L
KDD 90 L	10105090-01-01L	10105090-54-01L	10105090-09-01L
KDD 100 L	10105100-01-01L	10105100-54-01L	10105100-09-01L
KDD 110 L	10105110-01-01L	10105110-54-01L	10105110-09-01L
KDD 120 L	10105120-01-01L	10105120-54-01L	10105120-09-01L

RIGHT PART

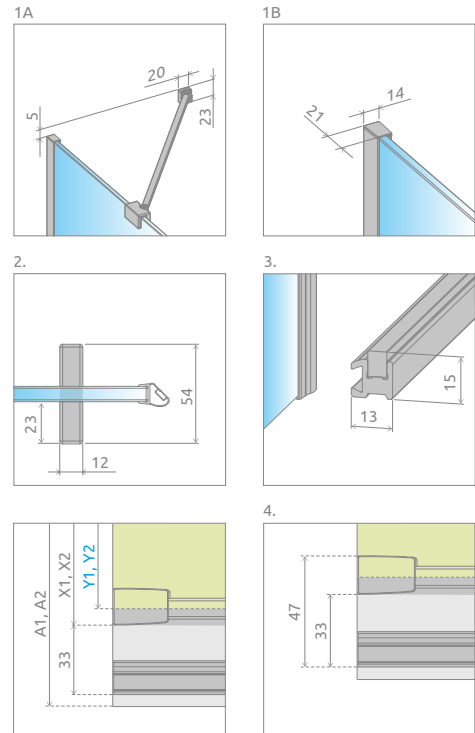
Model	TRANSPARENT GLASS		
	profile finish CHROME Art. No.	profile finish BLACK Art. No.	profile finish GOLD Art. No.
KDD 80 R	10105080-01-01R	10105080-54-01R	10105080-09-01R
KDD 90 R	10105090-01-01R	10105090-54-01R	10105090-09-01R
KDD 100 R	10105100-01-01R	10105100-54-01R	10105100-09-01R
KDD 110 R	10105110-01-01R	10105110-54-01R	10105110-09-01R
KDD 120 R	10105120-01-01R	10105120-54-01R	10105120-09-01R

TECHNICAL DRAWINGS

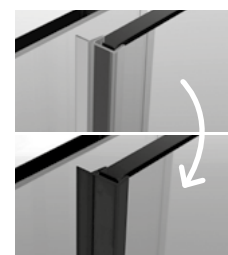


When installed on a shower tray - the minimum width of the edge of the shower tray is 43 mm.

Model	A1	A2	X1	X2	Y1	Y2	D	H
KDD 80L×80R	800	800	750-760	750-760	744-754	744-754	435	2000
KDD 80L×90R	800	900	750-760	850-860	744-754	844-854	472	2000
KDD 80L×100R	800	1000	750-760	950-960	744-754	944-954	511	2000
KDD 80L×110R	800	1100	750-760	1050-1060	744-754	1044-1054	551	2000
KDD 80L×120R	800	1200	750-760	1150-1160	744-754	1144-1154	594	2000
KDD 90L×80R	900	800	850-860	750-760	844-854	744-754	472	2000
KDD 90L×90R	900	900	850-860	850-860	844-854	844-854	506	2000
KDD 90L×100R	900	1000	850-860	950-960	844-854	944-954	542	2000
KDD 90L×110R	900	1100	850-860	1050-1060	844-854	1044-1054	581	2000
KDD 90L×120R	900	1200	850-860	1150-1160	844-854	1144-1154	621	2000
KDD 100L×80R	1000	800	950-960	750-760	944-954	744-754	511	2000
KDD 100L×90R	1000	900	950-960	850-860	944-954	844-854	542	2000
KDD 100L×100R	1000	1000	950-960	950-960	944-954	944-954	577	2000
KDD 100L×110R	1000	1100	950-960	1050-1060	944-954	1044-1054	613	2000
KDD 100L×120R	1000	1200	950-960	1150-1160	944-954	1144-1154	651	2000
KDD 110L×80R	1100	800	1050-1060	750-760	1044-1054	744-754	551	2000
KDD 110L×90R	1100	900	1050-1060	850-860	1044-1054	844-854	581	2000
KDD 110L×100R	1100	1000	1050-1060	950-960	1044-1054	944-954	613	2000
KDD 110L×110R	1100	1100	1050-1060	1050-1060	1044-1054	1044-1054	647	2000
KDD 110L×120R	1100	1200	1050-1060	1150-1160	1044-1054	1144-1154	684	2000
KDD 120L×80R	1200	800	1150-1160	750-760	1144-1154	744-754	594	2000
KDD 120L×90R	1200	900	1150-1160	850-860	1144-1154	844-854	621	2000
KDD 120L×100R	1200	1000	1150-1160	950-960	1144-1154	944-954	651	2000
KDD 120L×110R	1200	1100	1150-1160	1050-1060	1144-1154	1044-1054	684	2000
KDD 120L×120R	1200	1200	1150-1160	1150-1160	1144-1154	1144-1154	718	2000



It is possible to make the product with a railing handle (in chrome or black) which also functions as a towel hanger.



There is a possibility of a paid replacement of transparent gaskets for black gaskets:

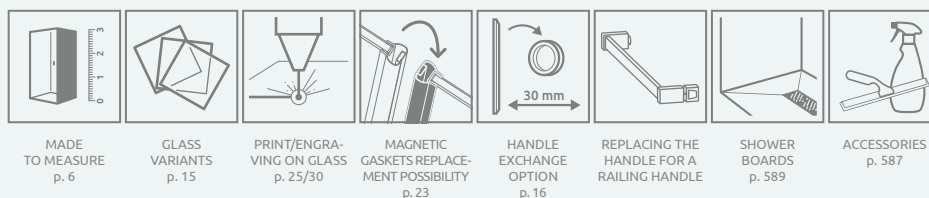
- option no. 1 – only magnetic gaskets,
- option no. 2 – all gaskets (magnetic, vertical and horizontal).

The selected option must be clearly stated in the order.



It is possible to extend the entrance by 30 mm by replacing the vertical handle with a round one (only in chrome and black colour). Please contact the non-standard cabins department.

ADDITIONAL OPTIONS



NAVIGATION

